



Searching Nodes in TM Flow

Description

➤ Purpose

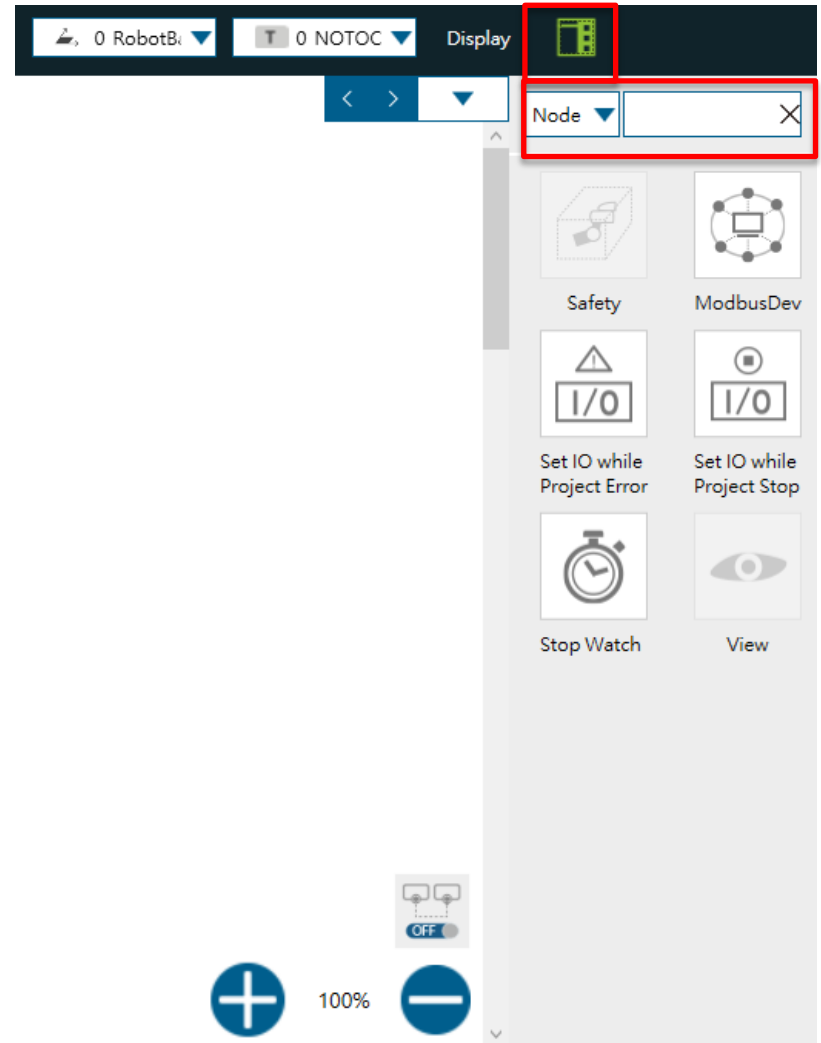
More convenient to edit project

➤ Equipment

1. TM5

➤ Function operation

➤ Example



Function operation

Click here

Can choose Node/Variables

Target

Partial Words

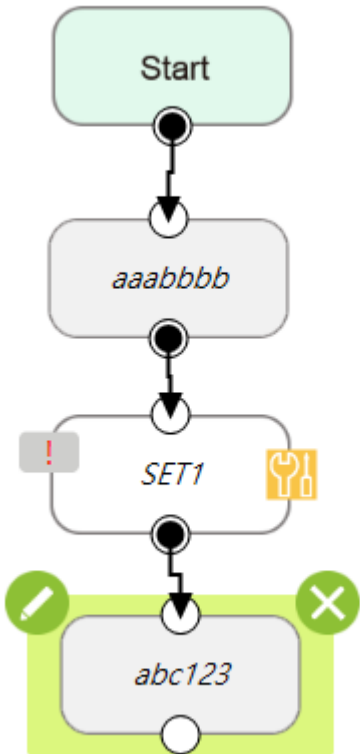
Choose Flow: project name

Node Type: point, set, etc..

Back

The diagram illustrates the workflow of selecting and configuring a function. On the left, a grid of function icons is shown, including Safety, ModbusDev, Set IO while Project Error, Set IO while Project Stop, Stop Watch, and View. A 'Node' dropdown menu is at the top. A red arrow points to the search bar in this menu with the text 'Click here'. A large red arrow points from this screen to the right screen. The right screen is a configuration panel for the selected function. It features a 'Node' dropdown, a search bar, a 'Partial Word' toggle, a 'Choose Flow' dropdown (set to '0111'), and a 'Node Type' dropdown (set to 'All'). A red arrow points to the search bar with the text 'Target'. Another red arrow points to the 'Node' dropdown with the text 'Can choose Node/Variables'. Below the configuration options are three small icons and a 'Back' button at the bottom.

Example



Node Partial words : ab

Partial Word Disable

Choose Flow 0111

Node Type All

Search

Count: 1 match

abc123 , 0111

Results

Node Partial words : ab

Partial Word Enable

Choose Flow 0111

Node Type All

Search

Count: 2 matches

aaabbbb , 0111

abc123 , 0111

END